

## Pole mount for thermal camera

**Material:** Aluminum

**Dimensions:** 127mm x 46mm x 250mm

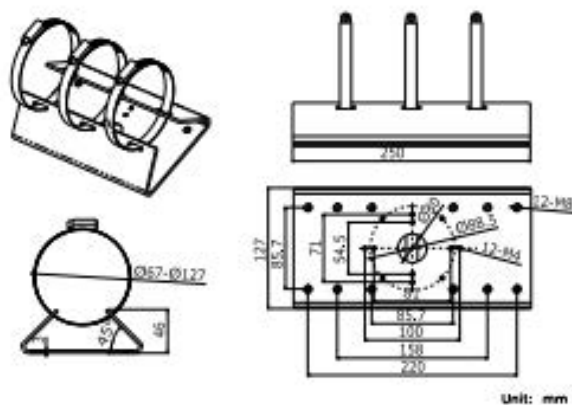
**Color:** White

**Type of Installation:** Wall

**Weight:** 1345g



### Dimensions (mm)



### Application

